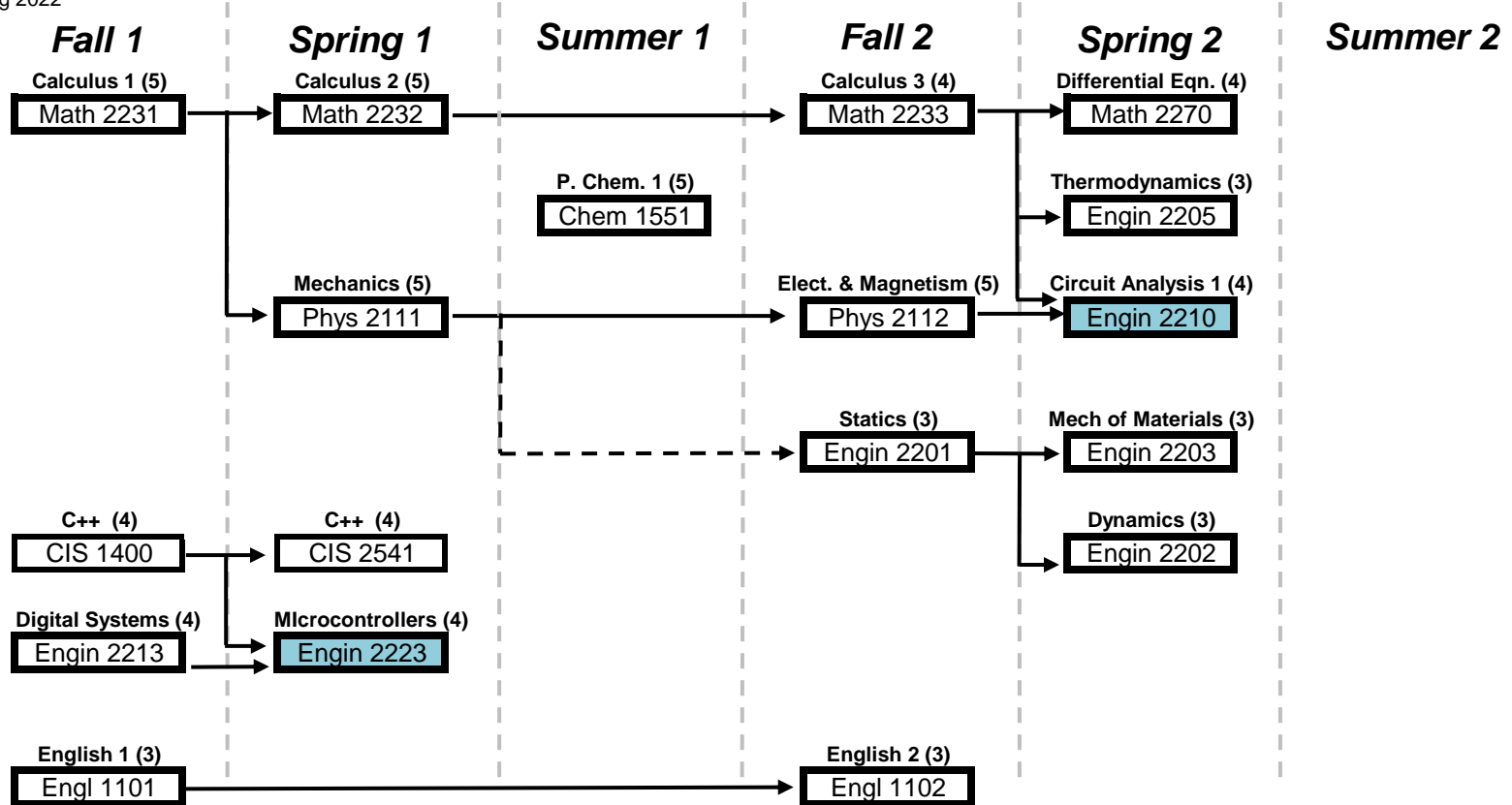


College of Dupage Engineering (Undecided major)

Updated Spring 2022



Take additional Social Science and Humanity courses if necessary to make a full load each semester.
 This course sequence will provide students the opportunity to see the different engineering types and choose a major.

KEY to GUIDE

Course Name \longrightarrow prerequisite (must be taken previously)
COD #
 Universities needing course \dashrightarrow corequisite (can be taken after or together)

Offered fall and spring

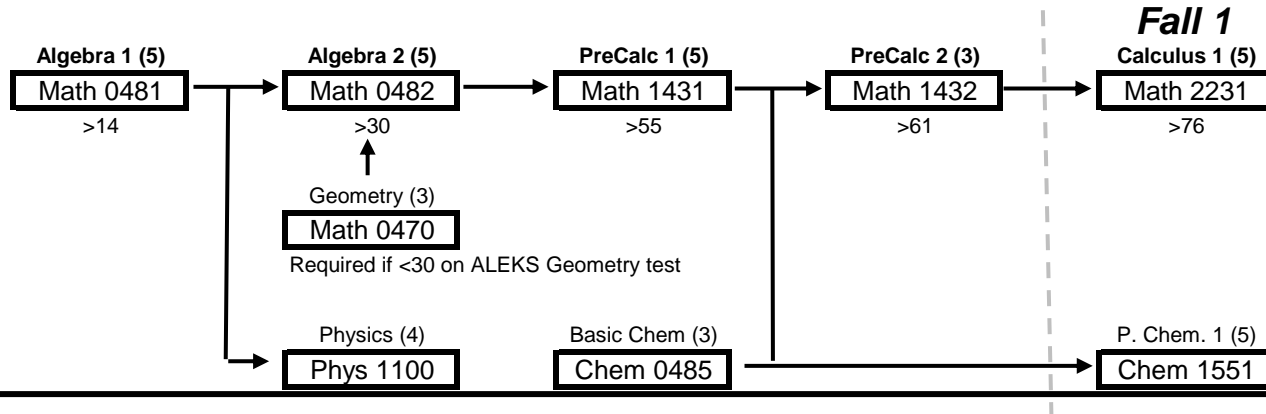
Offered spring only

For more information, contact an Engineering Professor.

CODengineering@cod.edu

Preparatory Sequences

Math placement scores (ALEKS) needed for enrollment included below course. Physics 1100 is recommend for those without high school physics. Chemistry 0485 is required for those without high school chemistry.



Associate in Engineering Science Graduation Checklist

45 required credits

	Course Number	Credits	
English	1101	3	
	1102	3	
Math	2231	5	
	2232	5	
	2233	4	
	2270	4	
Chemistry	1551	5	
Physics	2111	5	
	2112	5	
CIS	2485/2541	3	
SS / HUM	1 required	3	
		45	

Additional 23 credits from

	Course Number	Credits	
Engineering	2201	3	
	2202	3	
	2203	3	
	2205	3	
	2207	3	
	2210	4	
	2213	4	
	2220	4	
	2223	4	
Chem	1552	5	
Physics	2115	4	
SS / HUM	Up to 5 more	3	
		3	
		3	
		3	
		3	
		≥23	

Social Science and Humanity guide

The general education requirements for the Bachelor of Science degree vary throughout the state of Illinois.

Check the Social Science and Humanity guide for details on a specific university requirements.

http://www.cod.edu/programs/engineering/pdf/humanities_and_social_sciences_transfer_guide.pdf

Up to 6 Humanity and Social Science courses total can count toward the AES degree.

Transfer Equivalency for Engineering (Undecided)

This shows course equivalencies for these courses.

COD course		Bradley	IIT	NIU	SIUC	SIUE	UIC	UIUC
MATH	2231	MTH 121	MATH 151	MATH 229	MATH 150	MATH 150	MATH 180	MATH 220
	2232	MTH 122	MATH 152	MATH 230	MATH 250	MATH 152	MATH 181	MATH 231
	2233	MTH 223	MATH 251	MATH 232	MATH 251	MATH 250	MATH 210	MATH 241 [#]
	2235	-	-	-	-	-	-	
	2270	MTH 224	MATH 252	MATH 336	MATH 305	MATH 305	MATH 220	MATH 284
PHYSI	2111	PHY 110	PHYS 123	PHYS 253	PHYS 255A/205A	PHYS 151/151L	PHYS 141	PHYS 211
	2112	PHY 201	PHYS 221	PHYS 273	PHYS 205B/255B	PHYS 152/152L	PHYS 142	PHYS 212
	2115	-	PHYS 224	PHYS 283/284	-	-	-	PHYS 213/214
CIS	2485	ECE 103	CS 104	-	ECE 222	CS 145	-	CS 101
	2541	-	CS 115/116	CSCI 240	CS 202	CS 145	CS 107	CS 225
	2542	-	-	-		-		
ENGIN	2201	CE 150	MMAE 200	MEE 210	ENGR 250	CE 240	CME 201	TAM 211
	2202	CE 250	MMAE 305	MEE 211	ENGR 261	ME 262	ME 210	TAM 212
	2203	CE 270	MMAE 202	MEE 212	ENGR 350C	CE 242	CME 203	TAM 251
	2205	ME 301	MMAE 320	MEE 350	ENGR 300	ME 310	ME 205	ME 200
	2207	IME 301	-	ISYE 220	ECON 240	-	IE 201	-
	2210	ECE 100/101	ECE 211	ELE 210/210U	-	-	ECE 210	ECE 110
	2213	ECE 102	ECE 218	ELE 250/250U	-	-	ECE 265	needed for ECE 120
	2220	ECE 240	-	-	-	-	-	-
	2223	ECE 205	ECE 242	ELE 356	-	-	ECE 266	ECE 120
	2233	-	-	-	-	-	-	
CHEMI	1551	CHM 110/111	CHEM 124	CHEM 210/212	CHEM 200/201	CHEM 121A/125A	CHEM 122/123	CHEM 102/103
	1552	-	CHEM 125	-	CHEM 210/211	-	CHEM 124/125	CHEM 104/105

- Both MATH 2233 and 2235 are required for MATH 241 credit at UIUC.

MEE 210 and MEE 211 can count as the combined course MEE 209 at NIU.

ENGIN 2213, 2223, and 2233 are required to get credit for ECE 120 at UIUC.