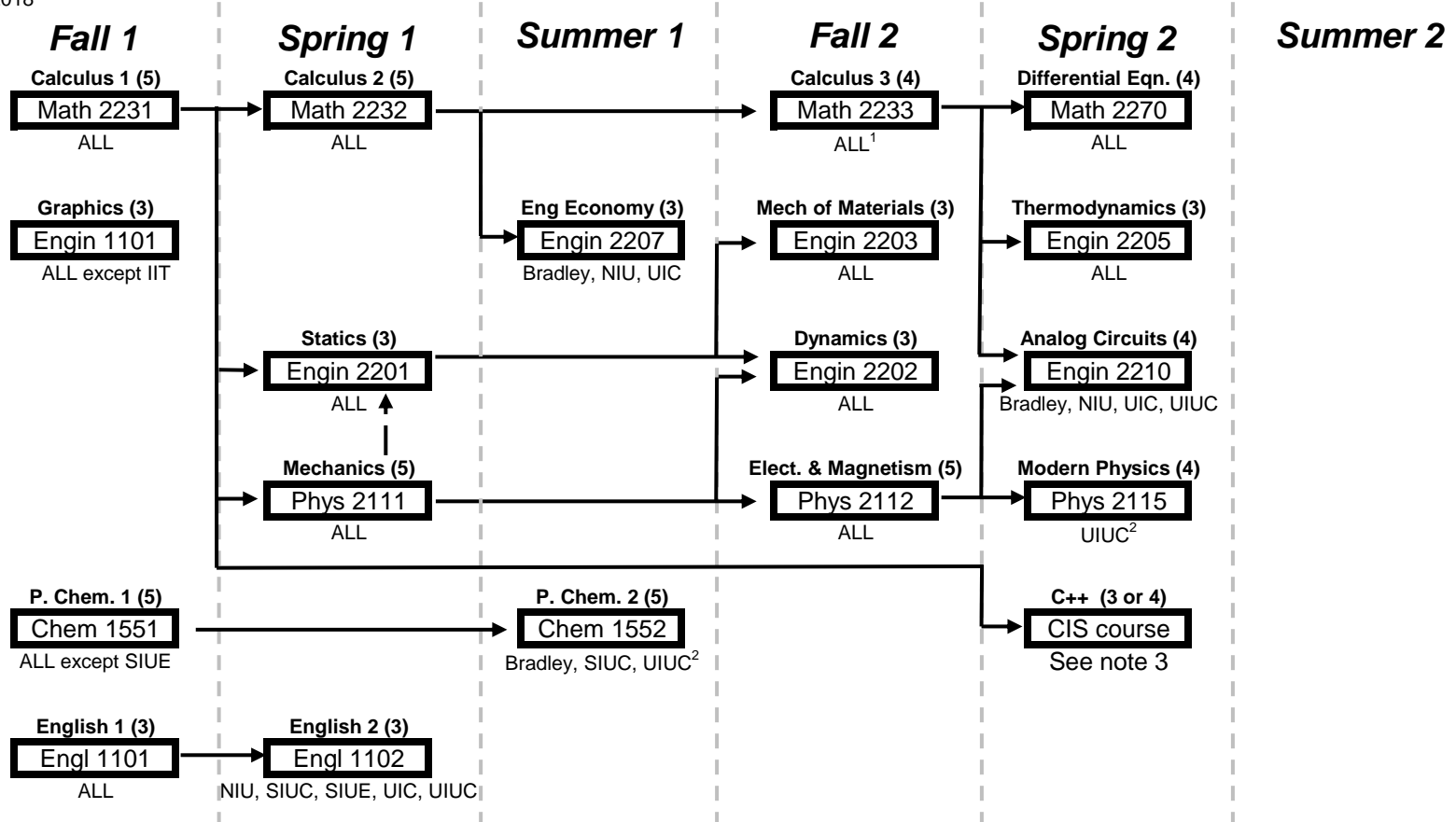


College of Dupage Mechanical Engineering

Updated Fall 2018



Mechanical Engineering is offered at Bradley, IIT, NIU, SIUC, SIUE, UIC, and UIUC in Illinois.

Take the courses that are part of the Bachelor of Science Degree for the University you are interested in attending.

Courses in the same column should be taken together and will be scheduled to minimize conflicts.

Take additional Social Science and Humanity courses if necessary to make a full load each semester.

1 - Math 2235 is taken at the end of Math 2233 to count as Calculus 3 at UIUC

2 - Only choose one, either Physics 2115 or Chem 1552 for UIUC.

3 - IIT, UIC, and UIUC want CIS 2485. NIU and SIUC want CIS 1400 and CIS 2541. SIUE will accept either sequence.

KEY to GUIDE

Course Name
COD #
 Universities needing course

→ prerequisite (must be taken previously)

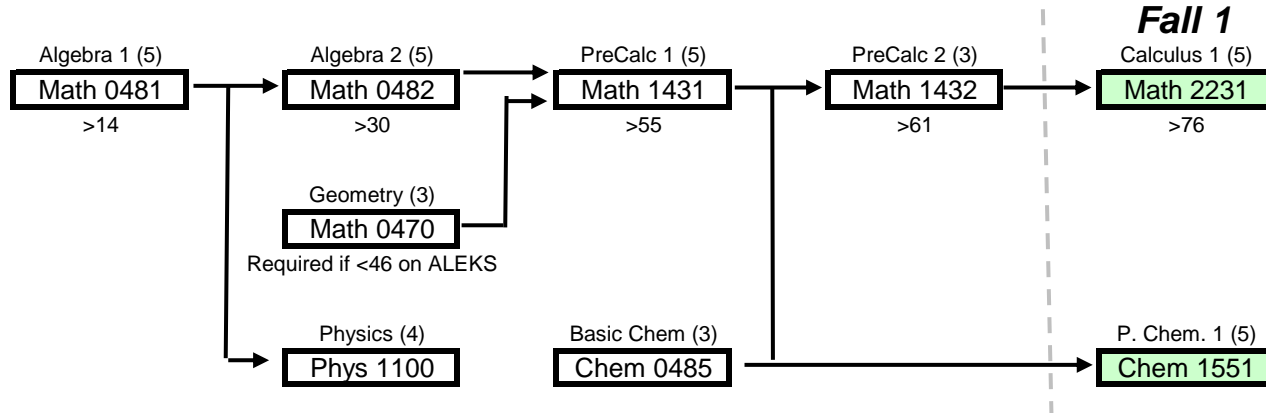
→ corequisite (can be taken after or together)

For more information, contact an Engineering Professor.

CODengineering@cod.edu

Preparatory Sequences

Math placement scores (ALEKS) needed for enrollment included below course. Physics 1100 is recommend for those without high school physics. Chemistry 0485 is required for those without high school chemistry.



Associate in Engineering Science Graduation Checklist

45 required credits

	Course Number	Credits	
English	1101	3	
	1102	3	
Math	2231	5	
	2232	5	
	2233	4	
	2270	4	
Chemistry	1551	5	
Physics	2111	5	
	2112	5	
CIS	2485/2541	3	
SS / HUM	1 required	3	
		45	

Additional 23 credits from

	Course Number	Credits	
Engineering	1101	3	
	2201	3	
	2202	3	
	2203	3	
	2205	3	
	2207	3	
	2210	4	
Chem	1552	5	
Physics	2115	4	
SS / HUM	Up to 5 more	3	
		3	
		3	
		3	
		3	
		≥23	

Social Science and Humanity guide

The general education requirements for the Bachelor of Science degree vary throughout the state of Illinois.

Check the Social Science and Humanity guide for details on a specific university requirements.

http://www.cod.edu/programs/engineering/pdf/humanities_and_social_sciences_transfer_guide.pdf

Only up to 6 Humanity and Social Science courses total can count toward the AES degree.

Transfer Equivalency for Mechanical Engineering

This course only shows course equivalencies that are applicable to the Bachelor of Science in Mechanical Engineering curriculum.

COD course	Bradley	IIT	NIU	SIUC	SIUE	UIC	UIUC
MATH	2231	MTH 121	MATH 151	MATH 229	MATH 150	MATH 150	MATH 220
	2232	MTH 122	MATH 152	MATH 230	MATH 250	MATH 152	MATH 231
	2233	MTH 223	MATH 251	MATH 232	MATH 251	MATH 250	MATH 210
	2235	-	-	-	-	-	-
	2270	MTH 224	MATH 252	MATH 336	MATH 305	MATH 305	MATH 220
PHYSI	2111	PHY 110	PHYS 123	PHYS 253	PHYS 255A/205A	PHYS 151/151L	PHYS 211
	2112	PHY 201	PHYS 221	PHYS 273	PHYS 205B/255B	PHYS 152/152L	PHYS 212
	2115	-	-	-	-	-	PHYS 213/214 ^b
CIS	2485	-	CS 104	-	ENGR 222B	CS 145	CS 111*
	2541	-	-	CSCI 240	-	CS 145	-
ENGIN	1101	ME102	-	MEE 270	ENGR 102	CE 204	ME 250
	2201	CE 150	MMAE 200	MEE 210	ENGR 250	CE 240	ME 170
	2202	CE 250	MMAE 305	MEE 211	ENGR 261	ME 262	TAM 211
	2203	CE 270	MMAE 202	MEE 212	ENGR 350C	ME 210	TAM 212
	2205	ME 301	MMAE 320	MEE 350	ENGR 300	CE 242	CME 203
	2207	IME 301	-	MEE 212	ENGR 261	ME 205	TAM 251
	2210	ECE 227	-	ISYE 220	ENGR 261	ME 310	ME 200
CHEMI	1551	CHM 110/111	-	ELE 210/210U	-	-	IE 201
	1552	CHM 112	-	-	-	-	ECE 210
CHEMI	1551	CHM 110/111	CHEM 124	CHEM 210/212	CHEM 200/201	-	CHEM 122/123
	1552	CHM 112	-	-	CHEM 210/211	-	-
							CHEM 102/103
							CHEM 104/105 ^b

* - Equivalent Credit for CIS 109 is given at UIC after completion of a 1 hour MATLAB course.

- Both MATH 2233 and 2235 are required for MATH 241 credit at UIUC.

\$ - Only choose one, either PHYSI 2115 or CHEM 1552 for UIUC.