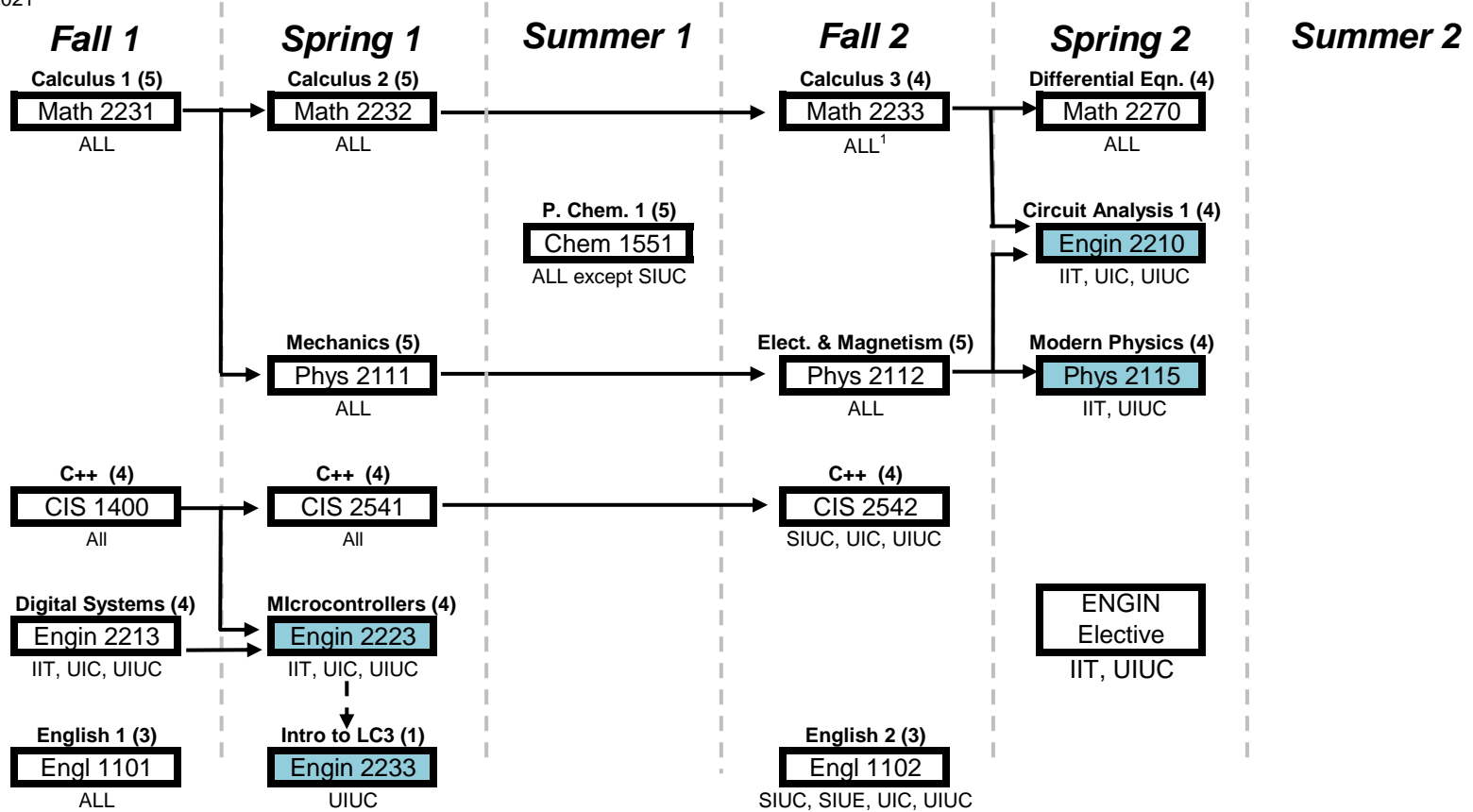


College of Dupage Computer Engineering

Updated Fall 2021



Computer Engineering is offered at IIT, SIUC, SIUE, UIC, and UIUC in Illinois.

Take the courses that are part of the Bachelor of Science Degree for the University you are interested in attending.

Courses in the same column should be taken together and will be scheduled to minimize conflicts.

Take additional Social Science and Humanity courses if necessary to make a full load each semester.

1 - Math 2235 is taken at the end of Math 2233 to count as Calculus 3 at UIUC

ENGIN elective - 2201 or 2205 for IIT. Up to two courses from 2201, 2202, or 2203 for UIUC

KEY to GUIDE

Course Name \longrightarrow prerequisite (must be taken previously)
COD #
 Universities needing course \dashrightarrow corequisite (can be taken after or together)

Offered fall and spring

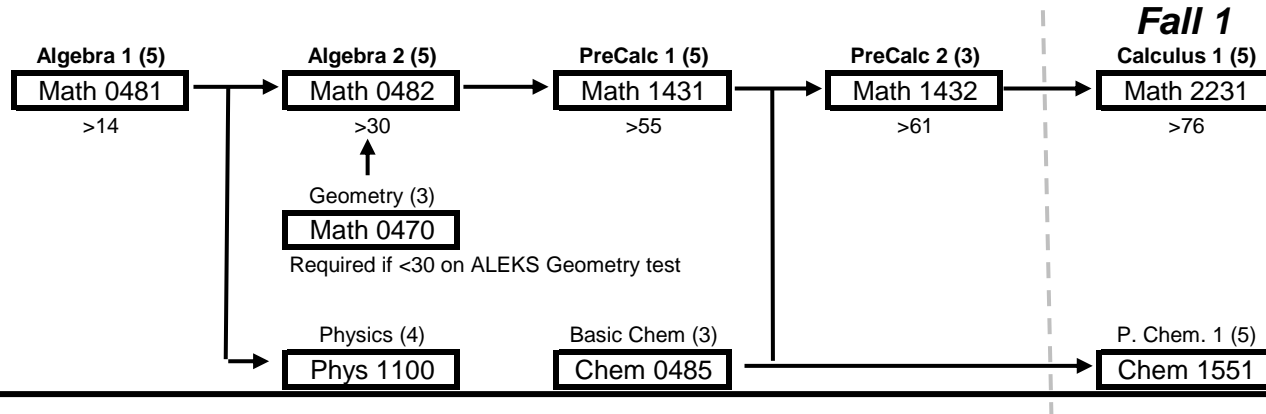
Offered spring only

For more information, contact an Engineering Professor.

CODengineering@cod.edu

Preparatory Sequences

Math placement scores (ALEKS) needed for enrollment included below course. Physics 1100 is recommend for those without high school physics. Chemistry 0485 is required for those without high school chemistry.



Associate in Engineering Science Graduation Checklist

45 required credits

	Course Number	Credits	
English	1101	3	
	1102	3	
Math	2231	5	
	2232	5	
	2233	4	
	2270	4	
Chemistry	1551	5	
Physics	2111	5	
	2112	5	
CIS	2485/2541	3	
SS / HUM	1 required	3	
		45	

Additional 23 credits from

	Course Number	Credits	
Engineering	2201	3	
	2202	3	
	2203	3	
	2205	3	
	2210	4	
	2213	4	
	2220	4	
	2223	4	
Chem	1552	5	
Physics	2115	4	
SS / HUM		3	
		3	
		3	
		3	
		3	
		≥ 23	

Social Science and Humanity guide

The general education requirements for the Bachelor of Science degree vary throughout the state of Illinois.

Check the Social Science and Humanity guide for details on a specific university requirements.

http://www.cod.edu/programs/engineering/pdf/humanities_and_social_sciences_transfer_guide.pdf

Up to 6 Humanity and Social Science courses total can count toward the AES degree.

Transfer Equivalency for Computer Engineering

This course only shows course equivalencies that are applicable to the Bachelor of Science in Computer Engineering curriculum.

COD course	IIT	SIUC	SIUE	UIC	UIUC	
MATH	2231	MATH 151	MATH 150	MATH 150	MATH 180	MATH 220
	2232	MATH 152	MATH 250	MATH 152	MATH 181	MATH 231
	2233	MATH 251	MATH 251	MATH 250	MATH 210	MATH 241 [#]
	2235	-	-	-	-	
	2270	MATH 252	MATH 305	MATH 305	MATH 220	MATH 284
PHYSI	2111	PHYS 123	PHYS 255A/205A	PHYS 151/151L	PHYS 141	PHYS 211
	2112	PHYS 221	PHYS 205B/255B	PHYS 152/152L	PHYS 142	PHYS 212
	2115	PHYS 224	-	-	-	PHYS 213/214
CIS	2485	-	ECE 222	-	-	-
	2541	CS 115/116	CS 202	-	CS 107	CS 225
	2542	-		-		
ENGIN	2201	MMAE 200 [%]	-	-	-	TAM 211 ^{TE}
	2202	-	-	-	-	TAM 212 ^{TE}
	2203	-	-	-	-	TAM 251 ^{TE}
	2205	MMAE 320 [%]	-	-	-	-
	2207	-	-	-	-	-
	2210	ECE 211	-	-	ECE 210	ECE 110
	2213	ECE 218	-	-	ECE 265	needed for ECE 120
	2220	-	-	-	-	-
	2223	ECE 242	-	-	ECE 266	ECE 120
	2233	-	-	-	-	
CHEMI	1551	CHEM 124	-	CHEM 121A/125A	CHEM 122/123	CHEM 102/103
	1552	CHEM 125	-	-	-	-

- Both MATH 2233 and 2235 are required for MATH 241 credit at UIUC.

Both CIS 2541 and CIS 2542 are required for CS credit at UIC and UIUC.

% - IIT requires either ENGIN 2201 or 2205

TE - Take up to 2 total courses from the technical electives (ENGIN 2201, ENGIN 2202, ENGIN 2203) at UIUC.

ENGIN 2213, 2223, and 2233 are required to get credit for ECE 120 at UIUC.