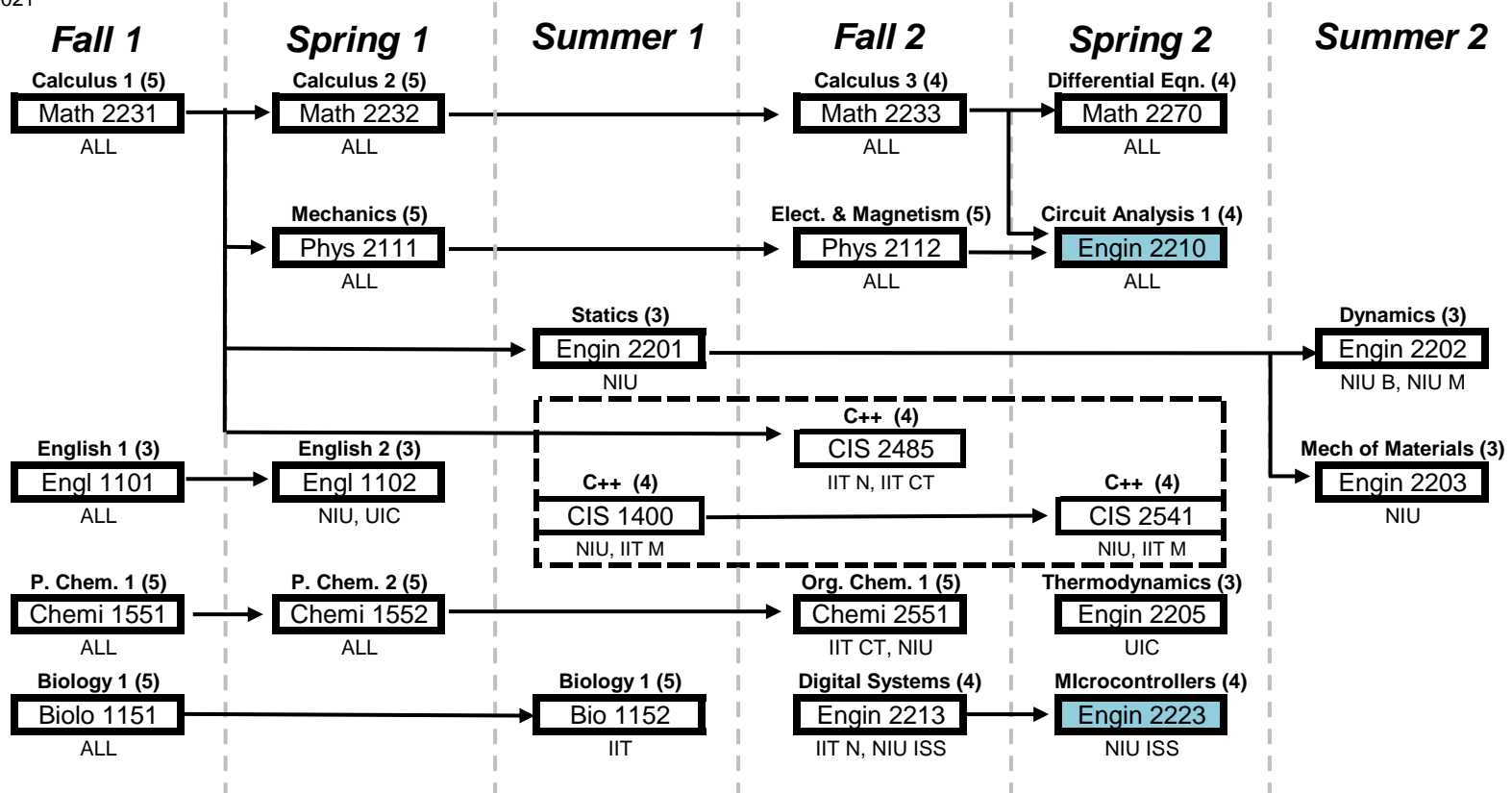


College of Dupage Bio Engineering

Updated Fall 2021



Bio Engineering is offered at IIT, NIU, and UIC in Illinois.

IIT has 3 tracks, which are Neural (N), Medical Imaging (M), and Cell and Tissue (CT).

NIU has 3 tracks, which are Biomechanics (B), Biomedical Instrumentation, Sensors, and Signal Processing (ISS), and Biomaterials (M)

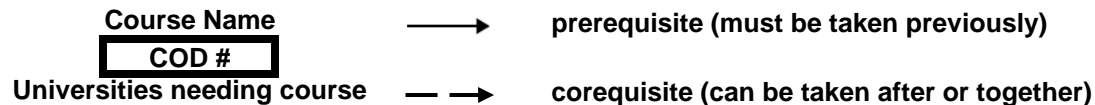
Take the courses that are part of the Bachelor of Science Degree for the University you are interested in attending.

It is important to choose a university during the first fall semester.

Take additional Social Science and Humanity courses if necessary to make a full load each semester.

1 - IIT want CIS 2485. NIU want CIS 1400 and CIS 2541.

KEY to GUIDE



Offered fall and spring

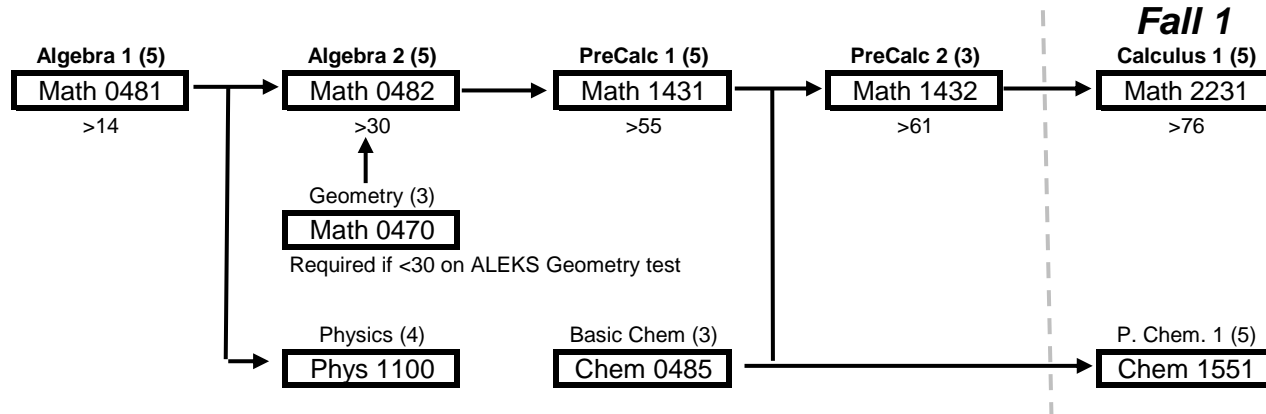
Offered spring only

For more information, contact an Engineering Professor.

CODengineering@cod.edu

Preparatory Sequences

Math placement scores (ALEKS) needed for enrollment included below course. Physics 1100 is recommend for those without high school physics. Chemistry 0485 is required for those without high school chemistry.



Associate in Engineering Science Graduation Checklist

45 required credits

	Course Number	Credits	
English	1101	3	
	1102	3	
Math	2231	5	
	2232	5	
	2233	4	
	2270	4	
Chemistry	1551	5	
Physics	2111	5	
	2112	5	
CIS	2485/2541	3	
SS / HUM	1 required	3	
		45	

Additional 23 credits from

	Course Number	Credits	
Engineering	2201	3	
	2202	3	
	2203	3	
	2205	3	
	2210	4	
	2213	4	
Chem	2220	4	
	1552	5	
	2551	5	
Bio	1151	5	
Physics	2115	4	
SS / HUM	Up to 5 more	3	
		3	
		3	
		3	
		3	
		≥23	

Social Science and Humanity guide

The general education requirements for the Bachelor of Science degree vary throughout the state of Illinois.

Check the Social Science and Humanity guide for details on a specific university requirements.

http://www.cod.edu/programs/engineering/pdf/humanities_and_social_sciences_transfer_guide.pdf

Only up to 6 Humanity and Social Science courses total can count toward the AES degree.

Transfer Equivalency for Bio Engineering

This course only shows course equivalencies that are applicable to the Bachelor of Science in Bio Engineering curriculum.

COD course		IIT (N)	IIT (M)	IIT (CT)	NIU (B)	NIU (ISS)	NIU (M)	UIC
MATH	2231	MATH 151	MATH 151	MATH 151	MATH 229	MATH 229	MATH 229	MATH 180
	2232	MATH 152	MATH 152	MATH 152	MATH 230	MATH 230	MATH 230	MATH 181
	2233	MATH 251	MATH 251	MATH 251	MATH 232	MATH 232	MATH 232	MATH 210
	2235	-	-	-	-	-	-	-
	2270	MATH 252	MATH 252	MATH 252	MATH 336	MATH 336	MATH 336	MATH 220
PHYSI	2111	PHYS 123	PHYS 123	PHYS 123	PHYS 253	PHYS 253	PHYS 253	PHYS 141
	2112	PHYS 221	PHYS 221	PHYS 221	PHYS 273	PHYS 273	PHYS 273	PHYS 142
	2115	-	-	-	-	-	-	-
CIS	2485	CS 104	-	CS 104	-	-	-	-
	2541	-	CS 201	-	CSCI 240	CSCI 240	CSCI 240	-
ENGIN	2201	-	-	MMAE 200	MEE 210	MEE 210	MEE 210	-
	2202	-	-	-	MEE 211	-	MEE 211	-
	2203	-	-	-	MEE 212	MEE 212	MEE 212	-
	2205	-	-	-	-	-	-	ME 205
	2210	ECE 211	ECE 211	ECE 211	ELE 210/210U	ELE 210/210U	ELE 210/210U	ECE 210
	2213	ECE 218	-	-	-	ELE 250/250U	-	-
	2223	-	-	-	-	ELE 356	-	-
CHEMI	1551	CHEM 124	CHEM 124	CHEM 124	CHEM 210/212	CHEM 210/212	CHEM 210/212	CHEM 122/123
	1552	CHEM 125	CHEM 125	CHEM 125	CHEM 211/213	CHEM 211/213	CHEM 211/213	CHEM 124/125
	2551	-	-	CHEM 237	CHEM 336/338	CHEM 336/338	CHEM 336/338	-
	2552	-	-	-	-	-	-	-
BIOLO	1151	BIOL 115/117	BIOL 115/117	BIOL 115/117	BIOS 208/210	BIOS 208/210	BIOS 208/210	BIOS 110
	1152			-	-	-	-	

IIT has 3 tracks, which are Neural (N), Medical Imaging (M), and Cell and Tissue (CT).

NIU has 3 tracks, which are Biomechanics (B), Biomedical Instrumentation, Sensors, and Signal Processing (ISS), and Biomaterials (M)

At IIT, both BIO 1151 and 1152 are required to any credit in Biology.

CSCI 240 is required for all tracks at NIU. However, C++ is better left for NIU for Biomechanics and Biomaterials tracks unless student wants AES degree. Both CIS 1400 and 2541 (8 credits) are required at COD to get credit for the CSCI 240 course (4 credits) at NIU.